

Motion detector - Professional Line

IS 3180

DALI-2 Application Controller - surface, sq.
EAN 4007841 010553



infrared sensor
180°



max. 20 m



IP54



2 - 1000 lux



5 sec - 15 min



manual override



Ideal 2 m

TEACH

Teach mode



energy saving

5 JAHRE
HERSTELLER
GARANTIE

manufacturer's
warranty
[steinel-professional.de/garantie](https://www.steinel.de/garantie)

Function description

For large areas. Infrared motion detector IS 3180 for indoors and out, ideal for watching over large areas, ideal installation height 2 m, 180° angle of coverage, reach 20 m max. or 8 m max. (tangential), large terminal compartment for easy installation.

IS 3180

DALI-2 Application Controller - surface, sq.
EAN 4007841 010553

Technical specifications

Type	Motion detectors
Dimensions (L x W x H)	65 x 95 x 95 mm
Mains power supply	220 – 240 V / 50 – 60 Hz
Sensor Technology	passive infrared
Application, place	Outdoors, Indoors
Application, room	corridor / aisle, function room / ancillary room, stairwell, multi-storey / underground car park, outdoors, all round the building, courtyard & driveway, Indoors
Installation site	wall, corner
Installation	Surface wiring
Switching zones	448 switching zones
Electronic scalability	No
Mechanical scalability	No
Mounting height	1,80 – 2,50 m
Optimum mounting height	2 m
Detection angle	180 °
Angle of aperture	90 °
Sneak-by guard	Yes
Capability of masking out individual segments	Yes
Reach, radial	$r = 3 \text{ m} (14 \text{ m}^2) / r = 4 \text{ m} (25 \text{ m}^2)$
Reach, tangential	$r = 6 \text{ m} (57 \text{ m}^2) / r = 20 \text{ m} (628 \text{ m}^2)$
Twilight setting TEACH	Yes
Twilight setting	2 – 1000 lx

Time setting	5 s – 15 Min.
Control output, Dali	Broadcast 1x30 electronic ballasts
Constant-lighting control	Yes
Basic light level function	Yes
Basic light level function in per cent	10 – 50 %
Basic light level function time	1-30 min, all night
Basic light level function percentage, from	10 %
Basic light level function percentage, up to	50 %
Functions	Normal / test mode, Manual ON / ON-OFF, Constant-lighting control ON-OFF
Settings via	Remote control, Potentiometers, Smart Remote
With remote control	No
Interconnection	Yes
IP-rating	IP54
Material	Plastic
Ambient temperature	-20 – 50 °C
Colour	white
Colour, RAL	9003
Manufacturer's Warranty	5 years
Version	DALI-2 Application Controller - surface, sq.
PU1, EAN	4007841010553

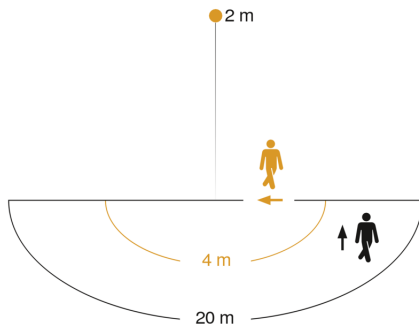
Accessories

EAN 4007841 009151	Remote control Smart Remote
EAN 4007841 559410	Service remote control RC8
EAN 4007841 592806	User remote control RC5
EAN 4007841 035174	Corner wall mount 3000
EAN 4007841 056711	Black cover for IR-sensors

IS 3180

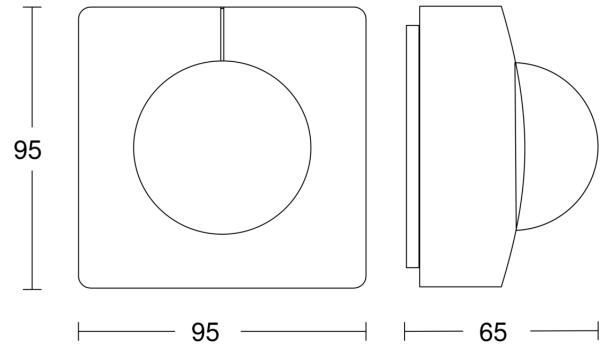
DALI-2 Application Controller - surface, sq.
EAN 4007841 010553

Detection Zone



Mögliche Montagehöhe: 1,80 m – 2,50 m
Orange: radial
Schwarz: tangential

Dimension Drawing



Master circuit diagram

